



M-7084

4/8-ch Counter/Frequency/Encoder Input Module

Features

- 8 Up Counter/Frequency or 4 Encoder Inputs
- Programmable Digital Filter
- Supports 32-bit Counter
- Individual Channel Configuration
- Virtual Battery Backup to Preserve Counter Values
- Preset Values for Counter Input



Introduction

The M-7084 is a 32-bit high-speed Counter/Frequency/Encoder input module that offers a variety of mode options, including "Up Counter", "Frequency Input", "Up/Down Counter", "Direct/Pulse Counter" and "A/B Phase Counter" modes. The mode combinations can be individual set for all 8 channels, where some channels can be set to "Up Counter" mode and other channels can be simultaneously set to "Frequency", "Up/Down Counter" or "Encoder input" mode. The built-in digital filter can filter out noise where the high/low pulse width is smaller than the minimum high/low width of the digital filter. The M-7084W provides a virtual battery backup function in counter mode.

System Specifications

Model	M-7084
CPU Module	
Watchdog Timer	Module, Communication (Programmable)
Memory	
Battery Backup	Yes
Isolation	
Intra-module Isolation	3000 VDC
EMS Protection	
EFT (IEC 61000-4-4)	±4 kV for Power Line
ESD (IEC 61000-4-2)	±4 kV Contact for Each Terminal
Surge (IEC 61000-4-5)	±3 kV for Power Line
LED Indicators	
Status	1 x Power and Communication
COM Ports	
Ports	1 x RS-485
Baud Rate	1200 ~ 115200 bps
Data Format	(N, 8, 1), (N, 8, 2), (E, 8, 1), (O, 8, 1)
Protocol	Modbus RTU, DCON
Power	
Reverse Polarity Protection	Yes
Input Range	+10 ~ +30 VDC
Consumption	1.32 W Max.
Mechanical	
Dimensions (mm)	72 x 123 x 35 (W x L x H)
Installation	DIN-Rail Mounting
Environment	
Operating Temperature	-25 ~ +75 °C
Storage Temperature	-30 ~ +80 °C
Humidity	10 ~ 90% RH, Non-condensing

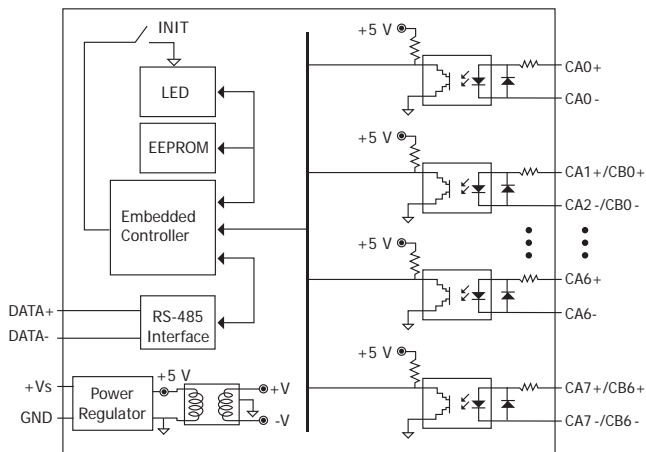
I/O Specifications

Model	M-7084
Counter/Frequency/Encoder Input	
Channels	4-channel Up/Down Counter (CW/CCW)
	4-channel Dir/Pulse Counter (Bi-direction)
	4-channel A/B Phase (Quadrature Counting)
	8-channel Up Counter
	8-channel Frequency
Type	Counter, Frequency, or Encoder
Counter Mode	Up or Up/Down
Encoder Mode	CW/CCW, Dir/Pulse, AB Phase
Frequency Mode	Yes
Counter/Encoder Bits	32-bit
Sink/Source (NPN/PNP)	Sink
ON Voltage Level	+3.5 VDC ~ +30 VDC
OFF Voltage Level	+1 VDC Max.
Frequency Accuracy	1 Hz ~ 200 kHz = ±0.025% of Input Frequency (*Note1)
Individual Channel Configuration	Yes
Max. Speed	+3.5 ~ +10 VDC: 200 kHz
	+10 ~ +30 VDC: 150 kHz
Low Pass Filter	1 ~ 32767 μs

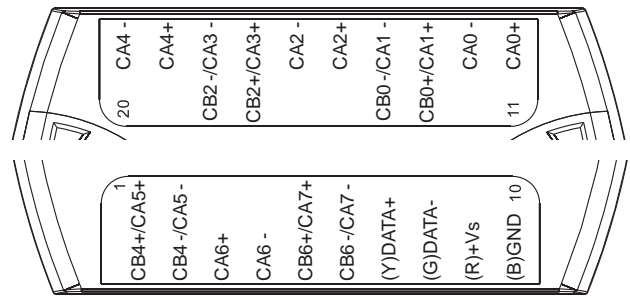
Note1:

Frequency Range	Frequency Error (typical)
1 Hz ~ 10 Hz	0.01 Hz
10 Hz ~ 10 KHz	0.5 Hz
10 KHz ~ 100 KHz	15 Hz
100 KHz ~ 200 KHz	30 Hz

Internal I/O Structure



Pin Assignments



Applications

- Counter Measurement
- Frequency Measurement and Encoder Motion Control

Wire Connections

	Counter Type
Up	Up+ CAX+ Up- CAX-
Up/Down	Up+ CAX+ Up- CAX- Down+ CBx+ Down- CBx-
Dir/Pulse	Pulse+ CAX+ Pulse- CAX- Dir+ CBx+ Dir- CBx-
A/B Phase	A0+ CAX+ A0- CAX- B0+ CBx+ B0- CBx-
	Frequency Type
Frequency	Freq+ CAX+ Freq- CAX-

Ordering Information

M-7084-G CR	4/8-ch Counter/Frequency/Encoder Input Module using DCON and Modbus Protocols (Gray Cover) (RoHS)
--------------------	---

Accessories

SG-770 CR	7/14 channel Surge Protector (RoHS)
------------------	-------------------------------------